

**CORNELL PUMP COMPANY**400 - 2200 GPM **Model 4NHM17** 50 - 375 Feet TDH**STANDARD SPECIFICATION****Discharge** - 4 inch discharge**Suction** - 5 inch suction**Impeller** - Semi-open, 3 vane: handles  
2.62" solids**Volute** - Right or left hand tangential discharge,  
eight positions**Mechanical Seal** - Single, type 2, silicon carbide/tung-  
sten carbide mechanical seal: Cycloseal® design, Run-  
Dry™ available**Materials of Construction**

- Ductile iron casing, cast iron impeller
- Other materials available

**MOUNTING OPTIONS****• Horizontal Frame Mount**

- Cornell F18
- Cornell F18DB

**• Vertical Frame Mount**

- Cornell VF18

**• Vertical Coupled**

- Cornell VC18

**• Engine Bracket**

- Cornell EM18 (SAE 1, 2, 3)
- Cornell EM18DB (SAE 1, 2, 3)

**• Oil Filled Bearing Frame**

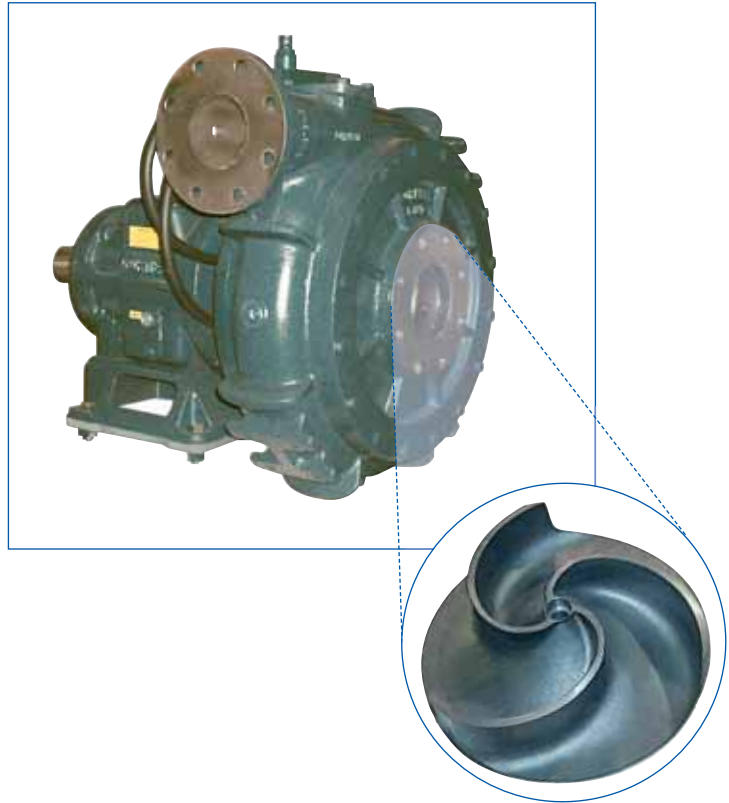
- Available

**• Redi-Prime Self Priming System**

- Available

**AVAILABILITY****• Specialty Pump**

- Cornell Pump Company will design and  
manufacture a variation of this pump  
specifically designed for your application

**FEATURES & BENEFITS****• Cornell's Tradition of Excellence:**

- Highest quality products**
- Experience**
  - Over 50 years in the centrifugal pump business

**• Optimum Hydraulics**

- In house engineering staff and test lab facilities

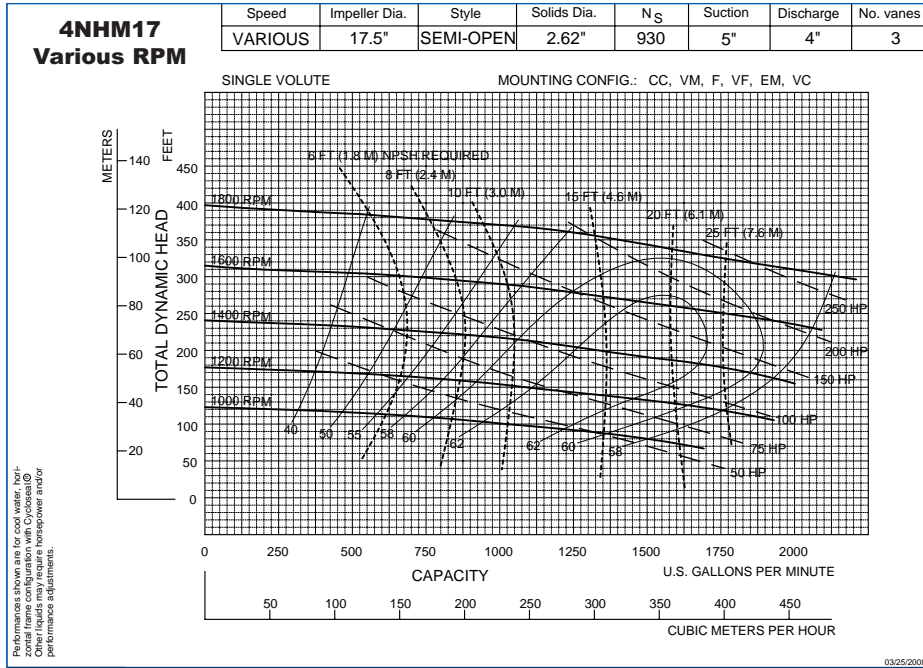
**• Strong Local Dealer Support**

- Our agricultural products are sold only through  
authorized dealerships
- Dealerships provide full service to customers from  
sales to replacement parts
- Dealers maintain and improve their knowledge at  
educational activities like Cornell's "Pump School"

**• Exceptional Design:**

- Efficiency**
  - Effectively converts energy into fluid flow and  
pressure
- Long Product Life**
  - Thick walled castings
  - Heavy duty shafts
  - 20,000 hour bearings - minimum
  - Replaceable wear rings and shaft sleeves
  - Reduced thrust load through design and balance  
lines where appropriate

# PERFORMANCE CURVES



**Note:**  
Curves also available in 1800 and 1200 RPM

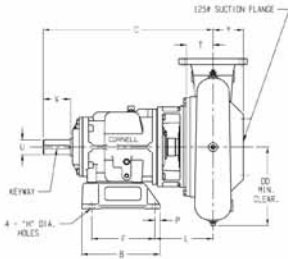


Figure 1

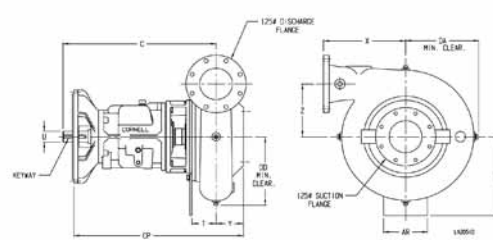
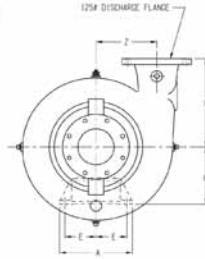


Figure 4

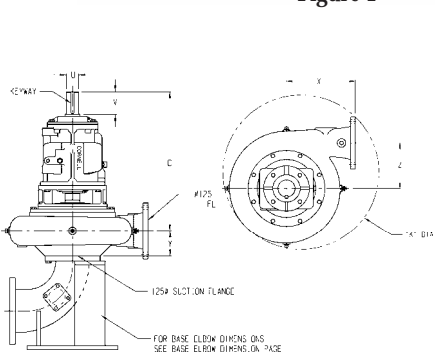


Figure 2

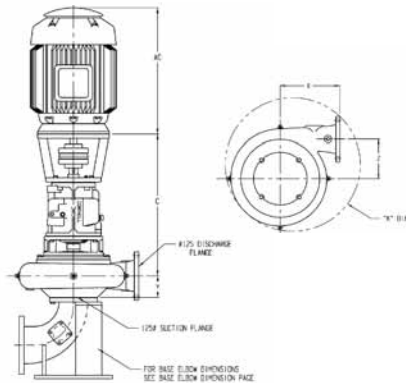
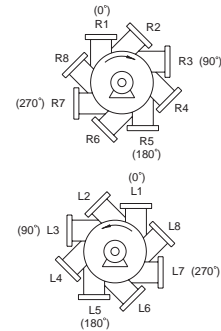


Figure 3



## PUMP DIMENSIONS

MOUNT	Fig.	A	AR	B	C	CP	D	DA	DD	E	F	H	K	L	LP	P	R	T	U	V	X	Y	Z	KEYWAY
F18	1	12	-	12.88	28.45	-	10.5	-	13.25	5.12	10.38	0.81	-	10.09	-	0.88	-	-	2.5	4.5	15.5	5	10.25	.62 X .31
VF18	2	-	-	-	28.45	-	-	-	-	-	-	-	35	-	-	-	-	-	2.5	4.5	15.5	5	10.25	.62 X .31
VC18	3	-	-	-	38.22	-	-	-	-	-	-	-	35	-	-	-	-	-	-	-	15.5	5	10.25	.62 X .31
EM18	4	-	8	-	28.45	31.47	-	13.25	13.12	-	-	-	-	-	-	-	14.42	-	2.5	-	15.5	5	10.25	.62 X .31

## VC MOTOR DIMENSIONS

NEMA FRAME	182	184	213	215	254	256	284	286	324	326	364	365	404	405	444	445	505
AG	13.16	14.16	18.25	19.75	22.31	24.06	24.5	26	27.44	28.94	26	26	28.81	28.81	33	33	35.25

## Cornell Pump Company

P.O. Box 6334 • Portland, Oregon 97228-6334

Web: [www.cornellpump.com](http://www.cornellpump.com) • Phone: (503) 653-0330 • Fax: (503) 653-0338

CERTIFIED TO ISO 9001:2000