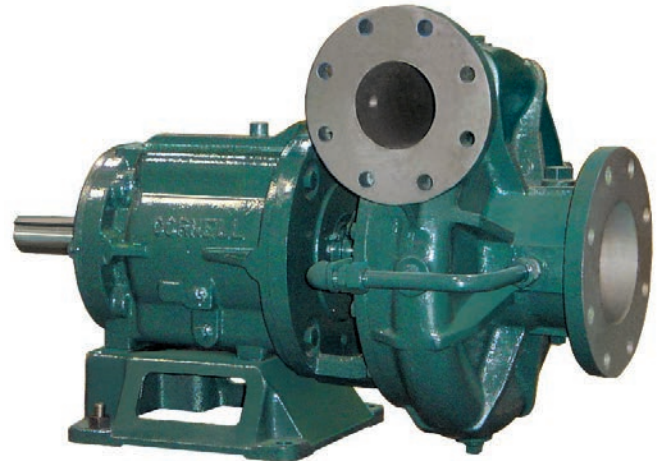


10RB-F



| AVAILABLE MOUNTING CONFIGURATIONS | |
|-----------------------------------|--|
| 10RB-F FRAME MOUNT | |
| 10RB-RP-F FRAME MOUNT | |
| 10RB-EM ENGINE MOUNT | |
| 10RB-RP-EM ENGINE MOUNT | |
| 10RB-VF VERTICAL FRAME MOUNT | |
| 10RB-VC VERTICAL COUPLED | |

| OPERATING LEVELS | | |
|----------------------|----------|------------------------|
| MIN FLOW | 2400 GPM | 545 m ³ /h |
| MAX FLOW | 7000 GPM | 1589 m ³ /h |
| DISCHARGE SIZE | 10" | 254 mm |
| SUCTION SIZE | 10" | 254 mm |
| SOLIDS HANDLING | 1.25" | 32 mm |
| MAX SPEED | 2200 RPM | 2200 RPM |
| MAX WORKING PRESSURE | 155 PSI | 1069 kPa |
| SHUT-OFF HEAD | 305' | 93 m |
| BEP HEAD | 205' | 62.5 m |
| BEP FLOW | 5900 GPM | 1339 m ³ /h |
| BEP PERCENT | 87% | 87% |



A typical picture of the pump is shown. Please contact Cornell Pump Company for further details. All information is approximate and for general guidance only.

The 10RB general purpose pump is designed with Cornell's renowned quality and durability. It features a 10" discharge and a 10" suction, enclosed multi-vane impeller and flanged tangential double volute. Compatible with the following bearing frames: F16, F18, F18DB, EM16, EM18, EM18DB, VC16, VC18, VC18DB, VF16, VF18, VF18DB.

- External hydraulic balance line
- Back pullout design
- Replaceable hub & suction wear rings
- Replaceable shaft sleeve
- High efficiency hydraulics
- Low operating costs
- Modular bearing frame
- Long B-10 Bearing Life (20,000 hour minimum)
- Two year warranty
- Optional Cycloseal® with type 1 mechanical seal
- Optional Run-Dry™ lubrication system
- Grease lubrication standard - oil lubrication optional
- SAE #1, 2, 3 engine mount available to fit
- Oversized shaft and bearings
- Double volute

| PARTS | STANDARD MATERIAL (BRONZE FITTED) |
|----------------------------|-----------------------------------|
| WEAR RINGS | BRONZE SAE 660 |
| IMPELLER | CAST IRON ASTM A48 CL30 |
| VOLUTE | CAST IRON ASTM A48 CL30 |
| SHAFT | SAE 1144 "STRESSPROOF" STEEL |
| SHAFT SLEEVE | BRONZE SAE 660 |
| SUCTION SPOOL | CAST IRON ASTM A48 CL30 |
| BACKPLATE | CAST IRON ASTM A48 CL30 |
| PACKING (STANDARD) | GRAPHITED ACRYLIC |
| MECHANICAL SEAL (OPTIONAL) | T-1, BUNA, CARBON/CERAMIC |



AGRICULTURE



FOOD



INDUSTRIAL



MINING



MUNICIPAL



OIL & GAS

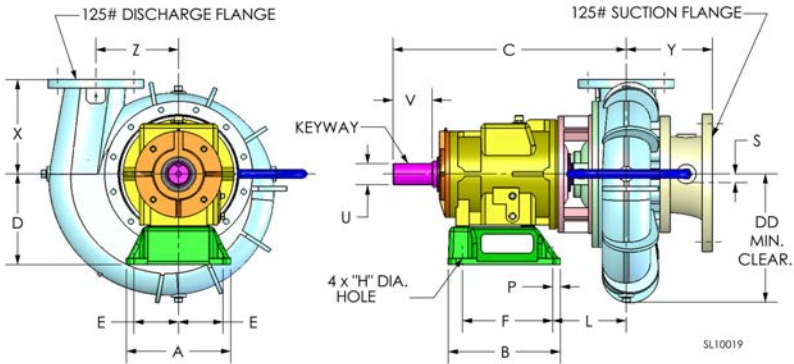
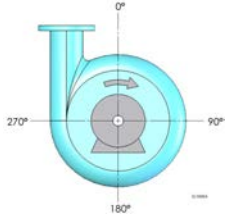


REFRIGERATION



RENTAL

10RB-F



NOTES:
 Discharge positions are viewed from the drive end.
 Standard increments of discharge position are shown in the chart below (DISCH INCR). Consult factory for other discharge positions.

NOTES:

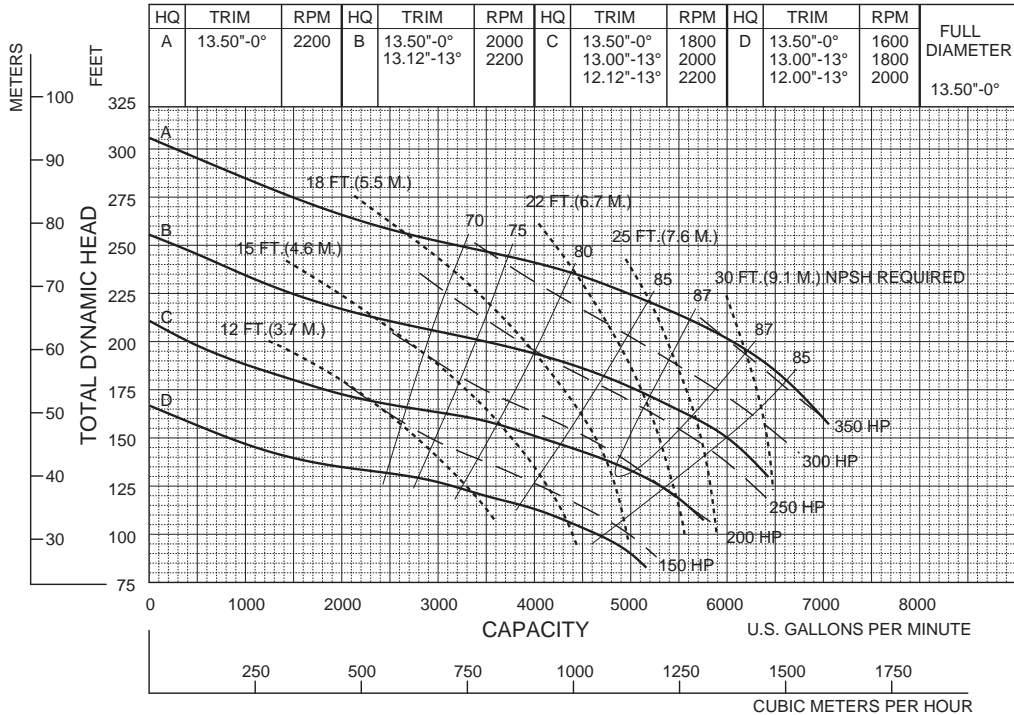
PUMP DIMENSIONS

| MODEL | FRAME | CONNECTION | | DISCH. INC. | A | B | C | D | DD | E | F | H | L | P | U | V | X | Y | Z | KEYWAY |
|-------|-------|------------|-------|-------------|----|-------|------|------|-------|------|-------|------|-------|------|-----|-----|----|-------|----|---------|
| | | DISCH. | SUCT. | | | | | | | | | | | | | | | | | |
| 10RB | F18 | 10 | 10 | 90° | 12 | 12.88 | 30.7 | 10.5 | 19.12 | 5.12 | 10.38 | 0.81 | 12.34 | 0.88 | 2.5 | 4.5 | 14 | 10.55 | 12 | .62X.31 |

Feet x .305 = Meters
 Inches x 25.4 = Millimeters
 GPM x .227 = Cubic Meters/ Hour
 GPM x 3.785 = Liters/Minute
 HP x .746 = KW

| Speed | Impeller Dia. | Style | Solids Dia. | N _s | Suction | Discharge | No. vanes |
|---------|---------------|----------|-------------|----------------|---------|-----------|-----------|
| VARIOUS | VARIOUS | ENCLOSED | 1.25" | 2900 | 10" | 10" | 5 |

DOUBLE VOLUTE MOUNTING CONFIG.: CC, VM, F, VF, EM, VC



Performances shown are for cool water, close-coupled electric configuration with packing. Other mounting styles or liquids may require horsepower and/or performance adjustments.

12/15/99

| | |
|---|--------------------|
| Cornell Pump Company • Portland, Oregon | 10RB - VARIOUS RPM |
|---|--------------------|

DS8STL-140826-P